

C - Frame Tables

The C - Frame Table is designed to support Demonstration Hoods, VSE Enclosures and light weight Laboratory Equipment.

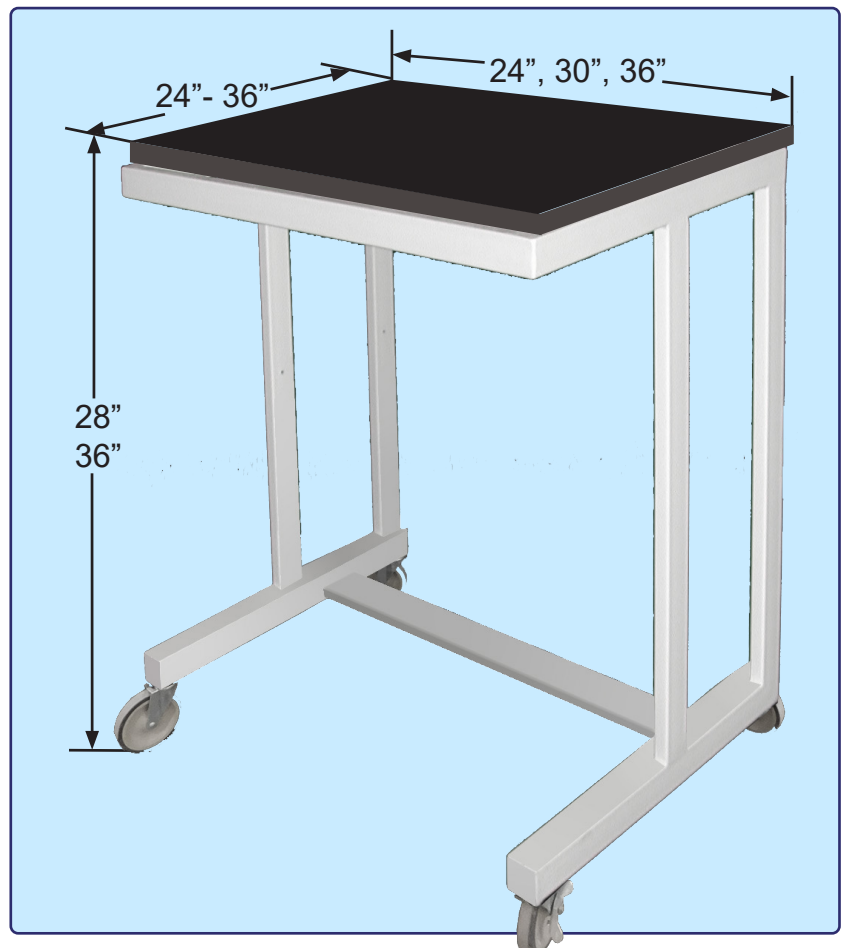


- **Mobile Table:** Sizes from 30", 36" & 48" wide
- 36" Standard Height
- Constructed of 1" X 2", 16 gauge rectangular tubing, with welded construction
- (4) casters included
- Epoxy Resin Work Surface measures 3/4" thick X 24" deep X Length depending upon size
Cat. No.
- Powder Coated finish resists chemicals
Color: White

Specifications:

C-Frame table is designed to hold:

- MicroFlow I Workstations
- MicroFlow II Workstations
- MicroFlow II Workstations
- Demonstration Hoods
- VSE Vented Safety Enclosures
- Table Top Fume Hoods



Cat. No.	Width A	Height B
50303	36"	28" sitting
50303	36"	36" standing
50403	48"	28" sitting
50403	48"	36" standing

